

# Wineries

- Armstrong Valley Winery
- Benigna's Creek Winery
- Bouchette Winery
- Broad Mountain Vineyard
- Brookmere Winery
- Happy Valley Winery
- King Cole Winery
- Kulpmont Winery
- Red Shale Ridge Vineyards
- Shade Mountain Winery
- Stone Mountain Wine Cellars
- Stonekeep Meadery & Wine Cellars

# Food Stands

- A. The Rolling Macaroni  
*mac & cheese; bbq; kielbasy; dips; etc.*
- B. Steph's Subs  
*freshly made subs*
- C. Off the Grill  
*crabcakes, pitas, wraps, etc.*
- D. Hegins Valley Fire-Rescue  
*burgers, hot dogs, water*
- E. Tri-Valley Lions Club  
*french fries, dill pickles, water*
- F. Pizza Buds  
*pizza whole/by the slice; bolioagie, etc.*

# Vendors

## IN THE PARK:

1. J's Wineracks & More
2. American Remodeling
3. Sweet G's Bakery
4. Pappy's Kettle Corn
5. Lucy & Leigh
6. Beauty Bee Soaps
7. MJK's Sweet Delights
8. Damn Yankee Catering
9. So Obsessed Boutique
10. The Squirrel Farm
11. Gifts Galore
12. Toast and Co.
13. Bibs, Books & Other Things
14. Bearmont Candles
15. Designs By Monet Jewelry
16. Classy Corks
17. Linx & Lox by Alex
18. Wildflowers & Cotton Co.
19. Cat Babe

## ON THE FIELD:

- 1F. John Hay Cigars
- 2F. Toni's Toe Rings
- 3F. Huck Family Maple
- 4F. Boof Biscuit Company
- 5F. Anastasia Smith Art Glass
- 6F. Confectionary Imaging, LLC
- 7F. Confectionary Imaging, LLC
- 8F. Sexy Sandals

# 15th Annual Schuylkill County Wine Festival

Hegins Park  
September 1, 2024  
1 pm to 6 pm

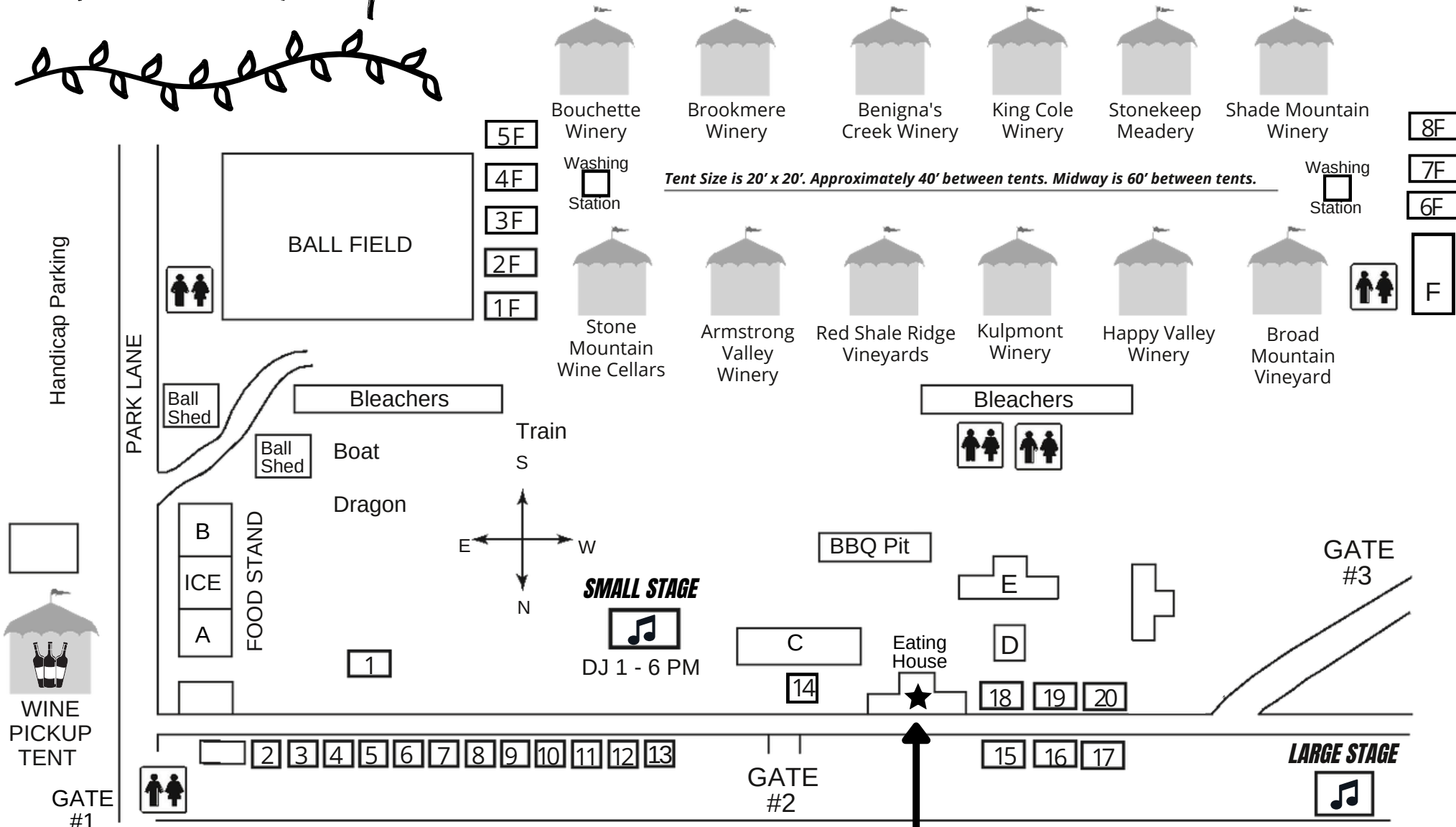
2024 theme:

## ***TAILGATE & TASTINGS***

### THANK YOU SPONSORS:

Miller Bros. Construction  
MI Windows and Doors  
Explore Schuylkill  
Deibler Enterprises  
Bressler Septic and Excavating  
Frank Krammes Excavating  
Horning's Supply  
Palmer H. Reed Motor Sales  
Kimmel & Kimmel Inc.  
Herb Plumbing Heating AC  
Twin Valley Farmers Exchange  
Moore Supply Co.  
Bixler's Country Meats  
Bixler's Stumps & Trees  
American Remodeling  
Redner's Markets

# Festival Map



Tent Size is 20' x 20'. Approximately 40' between tents. Midway is 60' between tents.

- 5F
- 4F
- 3F
- 2F
- 1F

- 8F
- 7F
- 6F
- F



**SMALL STAGE:**  
DJ TJ FITZPATRICK 1 - 6 PM

ENTER  
TO  
WIN

Register for table  
decorating contest &  
basket giveaway in  
the 'Eating House'!



**LARGE STAGE:**  
THE NEW INDIVIDUALS  
2 - 5 PM